



# TD-10R

CRAWLER DOZER  
STD & LGP

■ **Net Horsepower**  
101 hp (76 kW)

■ **Blade Capacity**  
2.81 yd<sup>3</sup> (2.15 m<sup>3</sup>)  
2.89 yd<sup>3</sup> (2.21 m<sup>3</sup>)

■ **Operating Weight**  
20,348 lb (9230 kg) STD  
20,598 lb (9343 kg) LGP



# TD-10R

## CRAWLER DOZER

### STD & LGP

- Full power shift transmission
- Highly efficient torque converter
- Wet-type steering clutches and brakes
- Hydraulic lift, tilt & angle blade
- Left joystick for transmission and steering control



## ENGINE

* Make and Model	CUMMINS QSB4.5
Type	In-line, 4-cylinder
Aspiration	Turbocharged and CAC
Fuel system	Electronic
Gross Horsepower, SAE J 1995	110 hp (82 kW)
Net Horsepower, SAE J 1349/ISO 9249	101 hp (76 kW)
Rated rpm	2500 rpm
Max. torque @1500 rpm	360 ft-lb (488 Nm)
Displacement	275 in <sup>3</sup> (4.5 l)
Bore and Stroke	4.02" x 5.42" (102 x 137 mm)
Air cleaner	two stage, dry type with service indicator

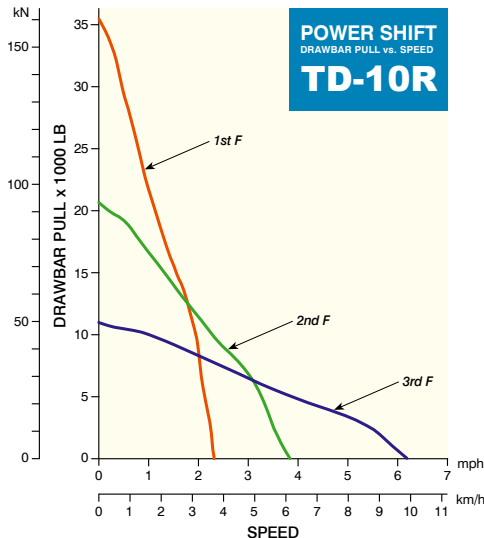
\*Meets EU Stage IIIA and EPA Tier 3 emission regulations

## TRANSMISSION & TORQUE CONVERTER

Modular countershaft type full power shift, electro-hydraulically actuated with 3 speeds forward, 3 reverse. Joystick control valve has electric transmission range shift control for up and down shifting. Single stage 11" (280 mm) torque converter with 2.153:1 stall ratio drives to transmission through a permanently lubricated double universal joint.

## TRAVEL SPEEDS

Gear	Forward		Reverse	
	mph	(km/h)	mph	(km/h)
1 st	2.3	(3.7)	2.7	(4.4)
2 nd	3.8	(6.2)	4.5	(7.3)
3 rd	6.2	(10.0)	7.4	(12.0)



## STEERING & BRAKING

Single stage planetary type, wet single disc steering clutches. Single disc, wet-type steering brakes. Steering clutches and brakes run in oil and are hydraulically actuated. The left hand joystick controls transmission and steering drive. Right foot pedal applies decelerator and brake for parking. Left pedal applies disc brakes for downhill speed control. Brakes are spring applied and hydraulically released.

## FINAL DRIVES

Single stage spur-gear drive to sprockets 8.1:1 reduction ratio. Final drive has metal face seals. Operates in oil for long life. Sprockets are replaceable without removing track frames.

## TRACK FRAME

Heavy steel box section, rigid mount.

	STD	LGP
Track rollers each side	6	6
Top idlers each side	1	1
Front idlers (disc type)	casting	
All rollers and idlers	lifespan lubricated	

## TRACKS

Lubricated Track System virtually eliminates internal pin and bushing wear.

	STD	LGP
Track shoe width	20" (508 mm)	24" (610 mm)
Track shoes, each side	39	40
Ground contact area	3,440 in <sup>2</sup> (2.22 m <sup>2</sup> )	4,294 in <sup>2</sup> (2.77 m <sup>2</sup> )
Ground pressure	5.9 psi (40.8 kPa)	4.8 psi (33.1 kPa)
Strutted track link pitch	6.5" (165 mm)	
Height of grouser	2.11" (53.6 mm)	
Track adjustment	full hydraulic	
Minimum ground clearance from bottom face of shoe	15" (381 mm)	
Recovery hitch-height from ground to centerline of clevis	21.1" (536 mm)	

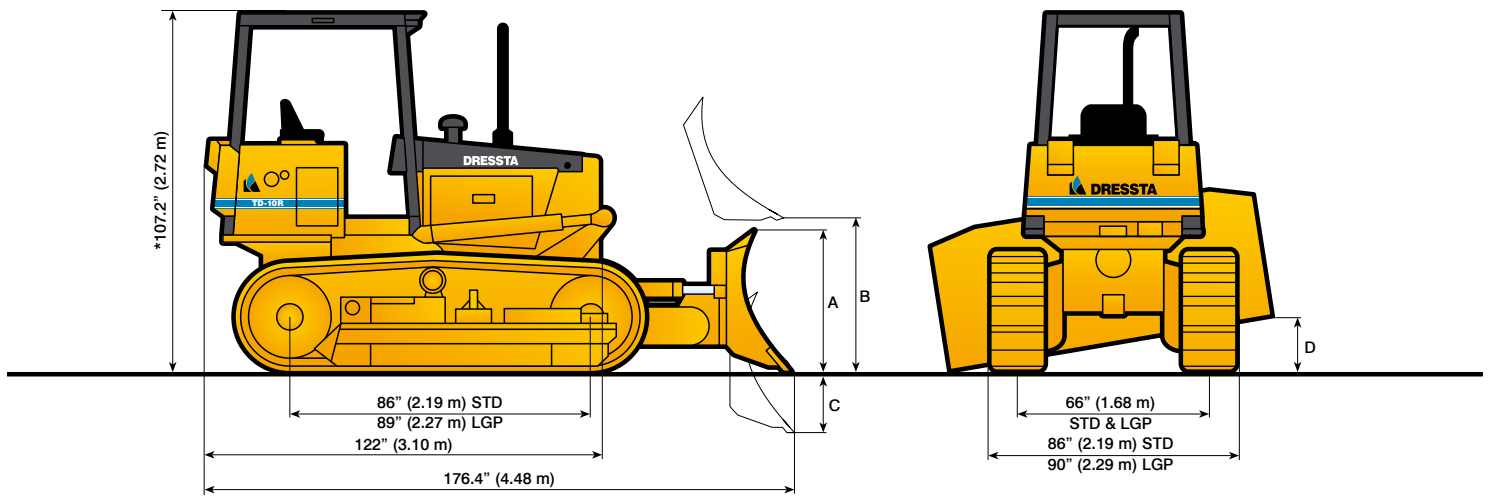
## REFILL CAPACITIES

	US gal	(Liter)
Fuel tank	45.0	(170.0)
Cooling system	4.9	(18.5)
Crankcase	2.9	(11.0)
Transmission & steering drive	18.5	(70.0)
Final drive, each side	4.0	(15.1)

## OPERATING WEIGHT

Includes hydraulic angle blade, standard equipment and full fuel.

	STD	LGP
Canopy ROPS/FOPS	20,348 lb (9230 kg)	20,598 lb (9343 kg)
Cab ROPS/FOPS	21,000 lb (9525 kg)	21,248 lb (9638 kg)



\* Dimension includes 2.11" (53.6 mm) grouser height  
 Overall height with Cab ROPS – 108.5" (2.76 m)

## OVERALL DIMENSIONS WITH EQUIPMENT

Type of Track Frame	STD	LGP
Length, with blade and ripper	16'4" (4.97 m)	16'4" (4.97 m)
Width, blade angled	9'0" (2.75 m)	9'3" (2.81 m)
Width, blade straight	9'9" (2.97 m)	10'0" (3.05 m)

## BLADE SPECIFICATIONS

Type of Track Frame		STD	LGP
Blade capacity, SAE J1265		2.81 yd <sup>3</sup> (2.15 m <sup>3</sup> )	2.89 yd <sup>3</sup> (2.21 m <sup>3</sup> )
Max. usable track shoe width		20" (508 mm)	24" (610 mm)
Blade dimensions:	– width over end bits	9'9" (2.97 m)	10' (3.05 m)
	– height, struts centered A	3'3" (0.99 m)	3'3" (0.99 m)
Max. lift, straight	B	34.3" (0.87 m)	34.3" (0.87 m)
Max. drop below ground level	C	16.5" (0.42 m)	16.5" (0.42 m)
Max. tilt adjustment	D	17.3" (0.44 m)	17.7" (0.45 m)
Blade angle, either side		25°	25°

## RIPPER SPECIFICATION

Type .....	Multi-Shank		
Tool Beam		Shanks	
Overall width .....	4'9" (1.44 m)	Number of shanks per ripper, max. ....	5
Cross section, height x width.....	6.5" x 6.5" (165 x 165 mm)	Spacing center to center .....	13.5" (343 mm)
Ground clearance under tool beam .....	28.2" (716 mm)	Penetration, max. ....	12.0" (305 mm)
Weight		Ground clearance, max. raised .....	16.6" (422 mm)
Complete, including three shanks .....	1,120 lb (510 kg)	Shank positions (vertical).....	2
Each additional shank .....	20 lb (9 kg)		

## HYDRAULIC CONTROL SYSTEM

Pump, tandem gear.		Cylinders, bore and stroke	
Output @ 500 psi (3.45 MPa)		Lift (2) .....	3.5" x 17.7" (89 x 449 mm)
& rated engine rpm .....	19.9 gpm (75.2 l/min)	Angle (2).....	3.5" x 13.9" (89 x 352 mm)
Relief valve setting		Tilt (1) .....	3.5" x 5.7" (89 x 144 mm)
Blade lift & ripper .....	2,250 psi (15 512 kPa)	Reservoir with sight gauge, system capacity, right fender mounted,	
Tilt.....	2,250 psi (15 512 kPa)	includes cylinders & lines .....	13.5 gal (51 l)



# TD-10R

## CRAWLER DOZER

### STD & LGP



## STANDARD EQUIPMENT

- Air cleaner, dry type, with primary and safety elements and service indicator
- Alarm, back-up
- Alternator, 105 A
- Antifreeze, -34°F (-37°C)
- Battery, (1) 12 V, 815 CCA, maintenance free
- Canopy ROPS/FOPS (SAE J1040, J231) with roof extension, roof headliner, mirror
- Cooling module; includes radiator, transmission oil cooler and charge air cooler; isolation mounted
- Counterweights, front idler
- Cup holder
- Decelerator/brake – right pedal and brake – left pedal, brake pedal lock button, foot operated
- Engine hood, solid
- Engine side doors, perforated
- Engine speed control knob, L.H. location
- Fan, blower
- Filters, with “spin-on” elements: engine oil, fuel, power train, equip. hyd.
- Guards: crankcase with pull hook, lights, radiator, transmission, rock deflector, fan, fuel tank bottom and back-up alarm
- Hitch, retrieval
- Horn
- Hydraulics, 3-spool valve, “T” control
- Instruments:
  - Gauges: fuel level, coolant temperature, engine oil pressure, power train oil temperature, voltmeter, hourmeter
  - Warning lights: transmission filter service indicator, air filter and hydraulic filter service indicator
- Lights, 2 front, 1 rear, halogen type
- Muffler, underhood with exhaust pipe and elbow
- Power train diagnostic check panel w/brake release port
- Protection guard for fuel tank and filler
- Radiator guard door, louvered
- Seat belt (SAE J386) – 3” wide, retractable
- Seat, suspension type with adjustable arm rests
- Starting aid – air grid heater
- Starting, 12 V
- Steering & transmission, left hand single lever control, joystick w/safety lever
- Strainer, fuel
- Tools compartment
- Torque converter, single stage
- Track adjusters, hydraulic
- Track chains, sealed & lubricated (LTS) with split master links, 39 links
- Track frame, 6 rollers, 66” (1.68 m) gauge, rigid type, lifespan lubricated rollers and idlers, front and rear chain guides
- Track frame covers
- Track shoes, 20” (508 mm), set of 78
- Transmission, full power shift, 3 speeds forward, 3 reverse
- Water separator, fuel system

## OPTIONAL ATTACHMENTS

- Air conditioner/heater/pressurizer/defroster
- Angle dozer 2.81 cu.yd (2.15 cu.m), inside arm w/hyd. tilt & angle, for STD
- Angle dozer 2.89 cu.yd (2.21 cu.m), inside arm w/hyd. tilt & angle, for LGP
- Battery, cold start, 12 V, 960 CCA
- Cab, ROPS with sound suppression, wipers (4) and washers, mirror, dome light & tinted safety glass
- Defroster fan (for use w/cab)
- Forestry front sweeps w/exhaust pipe (for use w/cab or canopy ROPS/FOPS)
- Guards for STD or LGP
  - track roller, standard strength
  - track roller, full length, heavy duty type
- Heater/pressurizer/defroster
- Hood, perforated (blower fan recommended)
- Hydraulics, 4-spool valve, 2 levers (“T” + single), for use w/ripper or auxiliary attachments
- Lubricated track system, 40 links, for LGP
- Mirrors, 2 pcs (for use w/cab)
- Resonator, exhaust
- Ripper, multi-shank w/3 teeth (provision for 5 teeth)
- Screening package, black painted (Canopy ROPS for screens installation must be ordered)
  - screens, front
  - screen, rear
  - doors and side screens w/third post
  - screen, overhead, for upper front lights protection (for use w/sweeps)
- Seat, suspension type with adjustable arm rests (for use with cab)
- Track frame for LGP, 6 rollers, 66” (1.68 m) gauge, rigid type
- Track frame covers, LGP
- Track chain guides, front and rear, LGP
- Track shoes, 24” (610 mm), set of 80, for LGP
- Vandalism protection

Specifications subject to change without notice. Illustrations may include optional attachments and accessories and may not include all standard equipment.

NOTE: Low Ground Pressure (LGP) tractors are designed for use in mud, snow and other soft ground applications.

Use in hard or rocky conditions will reduce undercarriage life and can cause damage to components.

## DRESSTA NORTH AMERICA, LTD.

3 TIMBER COURT  
 BOLINGBROOK, IL 60440  
 phone (630) 759 9530 fax (630) 759 9534  
 Toll free (877) DNA 2001  
 www.dresstanorthamerica.com