



TD-10M

CRAWLER DOZER
STD & LGP

■ **Net Horsepower**
76 kW (101 hp)

■ **Blade Capacity**
2.04 m³ (2.66 yd³)

■ **Operating Weight**
8797 kg (19,395 lb) STD
8910 kg (19,645 lb) LGP



TD-10M

STD & LGP

- Full power shift transmission
- Highly efficient torque converter
- Wet type steering clutches and brakes

- Lubricated track system
- Hydraulic lift, tilt & angle blade
- Left joystick for transmission and steering control

ENGINE

| | |
|-----------------------------------|--|
| * Make and model | CUMMINS QSB4.5 |
| Type | 4-cycle diesel turbocharged, ECM, direct start, direct injection |
| ** Gross Horsepower @ 2500 rpm | .82 kW (110 hp) |
| *** Net Flywheel power @ 2500 rpm | .76 kW (101 hp) |
| Maximum torque @1500 rpm | .414 Nm (305 ft lb) |
| Number of cylinders | 4 |
| Displacement | 4.5 l (275 in ³) |
| Bore and stroke | 102 x 137.7 mm (4.02" x 5.42") |
| Lubrication, full flow filtering | full pressure |
| Number of main bearings | 5 |
| Electrical system | 12 V |
| Air cleaner | two stage, dry type with service indicator |

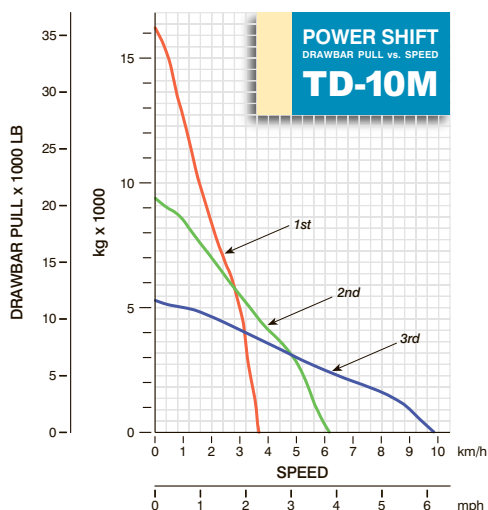
* Meets EU Stage II and EPA Tier 2 emission regulations
 ** Output of complete engine operating under SAE J1995 conditions
 *** Flywheel power-output of standard engine complete with fan, air cleaner, alternator (not charging), water pump, lubricating oil pump and fuel pump, per SAE J1349

TRANSMISSION & TURQUE CONVERTER

Modular countershaft type full power shift, electro-hydraulically actuated with 3 speeds forward, 3 reverse. Joystick control valve has electric transmission range shift control for up and down shifting. Single stage 280 mm (11") torque converter with 2.16:1 stall ratio drives to transmission through a permanently lubricated double universal joint.

TRAVEL SPEEDS

| Gear | Forward | | Reverse | |
|------|---------|-------|---------|-------|
| | km/h | (mph) | km/h | (mph) |
| 1 st | 3.7 | (2.3) | 4.3 | (2.7) |
| 2 nd | 6.1 | (3.8) | 7.2 | (4.5) |
| 3 rd | 10.0 | (6.2) | 11.9 | (7.4) |



STEERING & BRAKING

Single stage planetary type, wet single disc steering clutches. Single disc, wet-type steering brakes. Steering clutches and brakes run in oil and are hydraulically actuated. The left hand joystick controls transmission and steering drive. Right foot pedal applies decelerator, center pedal applies disc brakes for downhill speed control and parking. Brakes are spring applied and hydraulically released. Parking brake is also applied by safety lever.

FINAL DRIVES

Single stage spur-gear drive to sprockets 8.1:1 reduction ratio. Final drive has metal face seals. Operates in oil for long life. Sprockets are replaceable without removing track frames.

TRACK FRAME

Heavy steel channel, rigid mount.

| | STD | LGP |
|--------------------------|---------------------|---------|
| Track rollers each side | 6 | 6 |
| Top idlers each side | 1 | 1 |
| Front idlers (disc type) | casting | casting |
| All rollers and idlers | lifespan lubricated | |

TRACKS

Lubricated Track System virtually eliminates internal pin and bushing wear.

| | STD | LGP |
|------------------------|--|--|
| Track shoe width | 508 mm (20") | 610 mm (24") |
| Track shoes, each side | 39 | 39 |
| Ground contact area | 2.22 m ² (3,440 in ²) | 2.66 m ² (4,128 in ²) |
| Ground pressure | 38.6 kPa (5.6 psi) | 32.4 kPa (4.7 psi) |

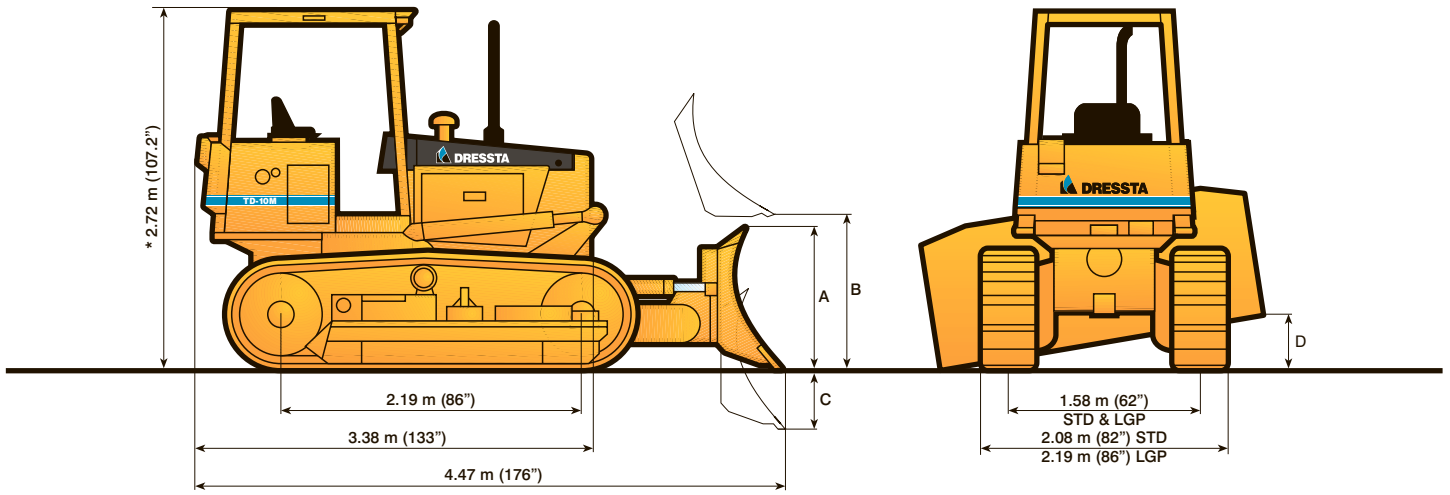
Strutted track link pith 165 mm (6.5")
 Height of grouser 53.6 mm (2.11")
 Track adjustment full hydraulic
 Minimum ground clearance from bottom face of shoe 381 mm (15")
 Recovery hitch-height from ground to centerline of clevis 536 mm (21.1")

REFILL CAPACITIES

| | Liter | (US gal) |
|-------------------------------|-------|----------|
| Fuel tank | 170 | (45) |
| Cooling system | 24.9 | (6.6) |
| Crankcase | 10.4 | (2.7) |
| Transmission & steering drive | 70 | (18.5) |
| Final drive, each side | 15.1 | (4.0) |

WEIGHT (Operating)

Includes standard equipment and angle blade
 STD 8797 kg (19,395 lb)
 LGP 8910 kg (19,645 lb)



* Overall height with Cab ROPS - 2.76 m (108.5")
 Vertical dimensions include 53.6 mm (2.11") grouser height

OVERALL DIMENSIONS WITH EQUIPMENT

| | | | |
|------------------------------------|----------------|-----------------------------|---------------|
| Length with blade and ripper | 4.80 m (15'9") | Width, blade straight | 2.82 m (9'3") |
| Width, blade angled | 2.57 m (8'5") | | |

BLADE SPECIFICATION

| | | | |
|------------------------------------|---|--------------------------------------|----------------|
| Blade capacity, SAE J1265 | 2.04 m ³ (2.66 yd ³) | Max. lift, straight B | 0.87 m (34.3") |
| Max. usable track shoe width | 610 mm (24") | Max. drop below ground level C | 0.42 m (16.5") |
| Blade dimensions: | | Max. tilt adjustment D | 0.42 m (16.4") |
| – width over end bits | 2.82 m (9'3") | Blade angle, either side | 25° |
| – height, struts centered A | 0.99 m (3'3") | | |

RIPPER SPECIFICATION

| | | | |
|--|----------------------------|--|----------------|
| Type | Multi-Shank | Shank | |
| Tool Beam | | Number of shanks per ripper, max | 5 |
| Overall width | 1.44 m (4'9") | Spacing center to center | 343 mm (13.5") |
| Cross section, height x width | 165 x 165 mm (6.5" x 6.5") | Penetration, max. | 305 mm (12") |
| Ground clearance under tool beam | 716 mm (28.2") | Ground clearance, max. raised | 422 mm (16.6") |
| Weight | | Shank positions (vertical) | 2 |
| Complete, including three shanks | 510 kg (1,120 lb) | | |
| Each additional shank | 9 kg (20 lb) | | |

HYDRAULIC CONTROL SYSTEM

| | | | |
|-----------------------------|-----------------------|--|----------------------------|
| Pump, tandem gear | | Cylinders, bore and stroke | |
| Output @ 3.45 MPa (500 psi) | | Lift (2) | 89 x 449 mm (3.5" x 17.7") |
| & rated engine rpm | 75.2 l/min (19.9 gpm) | Angle (2) | 89 x 352 mm (3.5" x 13.9") |
| Relief valve setting | | Tilt (1) | 89 x 144 mm (3.5" x 5.7") |
| Blade lift & ripper | 15512 kPa (2,250 psi) | Reservoir with sight gauge, system capacity, right fender mounted, | |
| Tilt | 15512 kPa (2,250 psi) | includes cylinders & lines | 51 l (13.5 gal) |

TD-10M

CRAWLER DOZER

STD & LGP

STANDARD EQUIPMENT

- | | |
|--|---|
| <ul style="list-style-type: none"> • Air cleaner, dry type, with primary and safety elements and service indicator • Alarm, back-up, 2 level sound • Alternator, 65 A • Antifreeze, -37°C (-34°F) • Battery, (1) 12 V, 815 CCA, maintenance free • Canopy ROPS (SAE J1040) with roof extension, roof headliner, mirror • Cooling module; includes radiator and transmission oil cooler (side-by-side); isolation mounted • Counterweights, front idler • Cup holder • Decelerator – right and brake, center pedal with safety lock, foot operated • Engine hood, solid • Engine side doors, perforated • Fan, blower • Filters, with "spin-on" elements, engine oil, fuel, power train, equip. hyd. • Guards: crankcase with pull hook, instrument panel, lights, radiator, transmission, rock deflector, fan, fuel tank bottom and back-up alarm • Hitch, retrieval • Horn • Hydraulics, 3-spool valve, "T" control • Instruments: Gauges: hourmeter, coolant temperature, engine oil pressure, power train oil temperature, voltmeter, fuel | <ul style="list-style-type: none"> Warning lights: transmission filter service indicator, air filter and hydraulic filter service indicator • Lights, 2 front, 1 rear, halogen type • Muffler, underhood with exhaust pipe and elbow • Power train diagnostic check panel, w/brake release port • Protection guard for fuel tank and filler • Radiator guard door, louvered • Seat belt (SAE J386) – 3" wide, retractable • Seat, suspension type with adjustable arm rests • Starting, 12 V • Steering & transmission, left hand single lever control, joystick w/safety lever • Strainer, fuel • Throttle control, L.H. location • Tools compartment • Torque converter, single stage • Track adjusters, hydraulic • Track chains, sealed and lubricated (LTS) with split master links, 39 links • Track frame, 6 rollers, 1.58 m (62") gauge, rigid type, lifespan lubricated rollers and idlers, front and rear chain guides • Track frame covers • Track shoes, 508 mm (20") • Transmission, full power shift, 3 speeds forward, 3 reverse • Water separator, fuel system |
|--|---|

OPTIONAL ATTACHMENTS

- | | |
|---|--|
| <ul style="list-style-type: none"> • Air conditioner/heater/pressurizer/defroster • Angle dozer 2.04 cu.m (2.66 cu.yd), inside arm w/hyd. tilt & angle • Battery, cold start, 12 V, 960 CCA • Cab, ROPS with sound suppression, wipers (4) and washers, mirror, dome light & tinted safety glass • Defroster fan, for use with cab • Exhaust pipe, forestry for use w/sweeps • Fan, reversible • Guards <ul style="list-style-type: none"> – track roller, standard strength – track roller, full length, heavy duty type • Heater/pressurizer/defroster • Heater, underseat, for use w/Canopy ROPS • Hood, perforated (blower fan recommended) | <ul style="list-style-type: none"> • Hydraulics, 4-spool valve w/2 levers ("T"+ single), for use w/ripper or auxiliary attachments • Mirrors, 2 pcs, for use with cab • Resonator, exhaust • Ripper, multi-shank w/3 teeth (provision for 5 teeth) • Screening package, black painted (Canopy ROPS for screens installation must be ordered) <ul style="list-style-type: none"> – screens, front – doors and side screens w/third post – screen, overhead, for upper front lights protection • Sweeps, front and screen rear (required for screening pkg. installation) • Track shoes: <ul style="list-style-type: none"> – 610 mm (24") – 610 mm (24") swamp type • Vandalism protection |
|---|--|

Specifications subject to change without notice. Illustrations may include optional attachments and accessories and may not include all standard equipment.
NOTE: Dressta Low Ground Pressure (LGP) tractors are designed for use in mud, snow and other soft ground applications.
Use in hard or rocky conditions will reduce undercarriage life and can cause damage to components.

DRESSTA Co.Ltd.

Kwiatkowskiego 1, 37-450 Stalowa Wola, P O L A N D
tel. 48 15 843 5252, 843 4556 fax: 48 15 844 4714, 872 0207
www.dressta.com.pl