

# SJ-1650 SERIES

## TRUCK MOUNTED SEWER JET



The SJ-1650 Sewer Jet is economically designed for removing sand, stones, bottles, cans, grease, sludge and other debris from sanitary and storm sewer lines.

### STATE-OF-THE-ART FEATURES

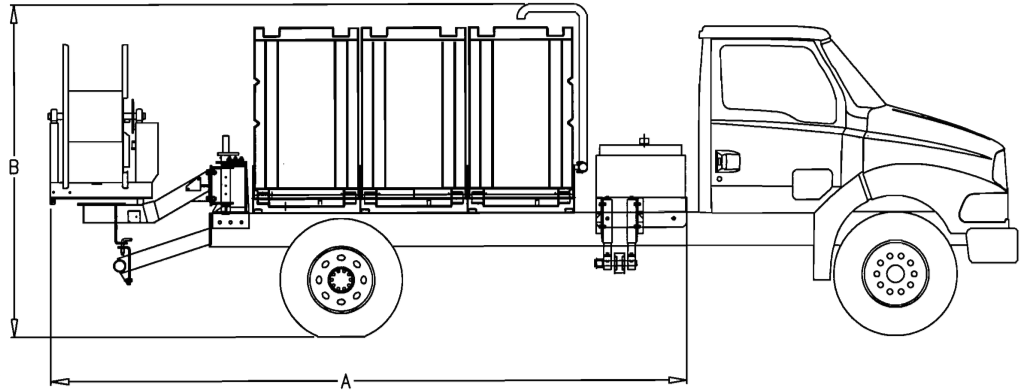
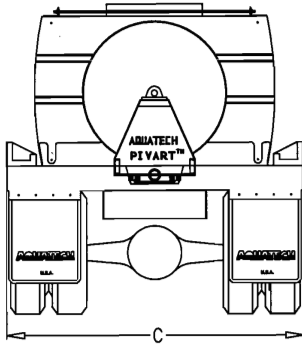
- **SINGLE ENGINE DRIVE**  
Decreases fuel consumption, maintenance expenses, sound levels, weight on chassis and initial purchase price. Chassis engine powers all systems.
- **DRIVE OPTIONS**  
PolyChain with adjustable belt drive, Hydrostatic drive or Dual engine drive available. Integral split shaft power take off (PTO). Transmission PTO for hydraulic system.
- **REAR MOUNTED HOSE REEL**  
**PivArt™ Optional**  
The dual action of the rear reel articulates 110° and pivots 180°. This facilitates placement of unit regardless of manhole location, giving the operator a cleaning path of 270°. The rear location assures

SOME FEATURES SHOWN MAY BE OPTIONAL.

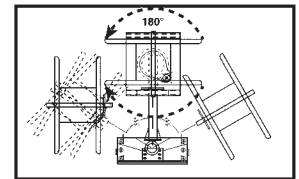
unobstructed vision for the driver, allows maximum air flow to the chassis engine and provides the quietest workstation in the industry.

- **WATER TANKS**  
Three modular design 3/8" UV stabilized polyethylene tanks, store 550 gallons each, providing a usable capacity of 1,650 gallons. These tanks are extremely durable and they never rust or corrode.
- **TRIPLEX RECIPROCATING WATER PUMP**  
0-80 GPM, continuous flow triplex reciprocating water pump is rated at 0-2500 PSI and is designed to operate dry.

**DISTRIBUTED BY:**



Dimensions	SJ-1650		SJ-2200	
	US	Metric	US	Metric
A. Unit length	165.0"	4191 mm	206.0"	5233 mm
B. Overall height	110.5"	2807 mm	110.5"	2807 mm
C. Overall width	98.5"	2502 mm	110.5"	2807 mm



110° Articulation  
and 180° pivoting

Consult factory for specifications and chassis requirements. Dimensions may vary with chassis selection. For cab over chassis please contact our Engineering Department. Cab over chassis may create large space behind cab.

## GENERAL DESCRIPTION

### WATER TANK

Modular design  
1650 gal (6245 lit) usable capacity  
3/8" (9.52 mm) UV stabilized polyethylene  
Low profile and narrow design  
Full length sediment chamber  
Full length anti-splash compartment  
Water fill with 2-1/2" NSFT connector  
Anti-siphon/air gap fill system design  
Water level sight tube indicators

### POWER TAKE-OFF DRIVE

Integral split shaft power take off  
Heavy duty jack shaft assembly  
PolyChain adjustable belt drive  
Transmission PTO for hydraulic system  
Live output for cold weather recirculation

### WATER SYSTEM

Triplex reciprocating  
0-80 GPM (246 lit/min)  
0-2500 PSI (0-172 bar) rating  
Capable of running dry  
External gear reduction box  
Elevated mounting for max. ground clearance  
Suction line strainer  
"Y" type polyethylene filter  
Pressure relief valve  
Air purge valve  
Blow-out valve for cold storage  
Wash down gun connection with 800 PSI (55 bar) relief valve

### CONTROLS AND GAUGES

Cab switches for PTO controls  
Engine throttle control  
Tachometer  
Water flow control valve  
Water pressure gauge  
Water level sight tube indicators  
Hose reel payout/retrieve controls  
Hose speed control  
Hose reel articulating control

### HOSE REEL

Rear mounted  
180° hydraulic pivoting  
Automatic positioning lock  
5-1/2' (1.6 m) working radius  
800' (244 m) capacity of 1" (25.4 mm) hose  
Hose, 1" (25.4 mm) x 2500 PSI (172 bar)  
400' (122 m) of 1" (25.4 mm) standard  
Heavy duty payout/retrieve chain drive

### STORAGE

Tool box, 14" x 36" x 29" (356 mm x 914 mm x 737 mm)  
Tool trays at either side of unit

### ACCESSORIES

15° nozzle  
35° nozzle  
Hose levelwind  
Lower hose guide with rope  
Adjustable hand gun with 25' (7.62 m) of hose  
Operation, Parts and Service Manual  
Touch up paint

### HOSE REEL—PivArt™ patent pending *optional*

110° hydraulic articulation (Optional)

### OPTIONS

0-80 GPM (0-303 lit/min) water system  
0-2500 PSI (0-175 bar) water system  
PTO direct drive  
Hydrostatic drive  
2 engine drive  
Stainless steel tool trays

Refer to your Aquatech Accessory Manual  
for complete selection

Specifications are subject to change without  
notice.

Some photographs may show equipment  
that is optional.

All ratings are calculated at sea level.

Patents applied for.



A Product of Hi-Vac Corporation  
117 Industry Road, Marietta, Ohio 45750 USA

Corporate: Tel: 740.374.2306 ♦ Toll Free: 800.752.2400  
Fax: 740.374.5447 ♦ Web: www.hi-vac.com  
E-mail: sales@hi-vac.com

Aquatech: Tel: 740.374.9171 ♦ Toll Free: 800.800.1016  
Fax: 740.374.5447 ♦ Web: www.hi-vac.com  
E-mail: sales@hi-vac.com